

**BENEFITS:**

- The preferred power source for sophisticated photographic equipment
- Maintains high performance in extreme weather (-40°C to +60°C)
- Maintains excellent discharge performance at extremely low temperature



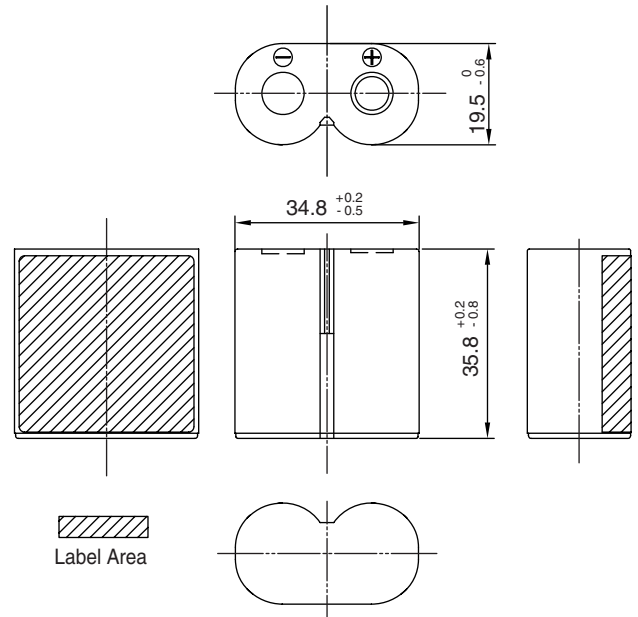
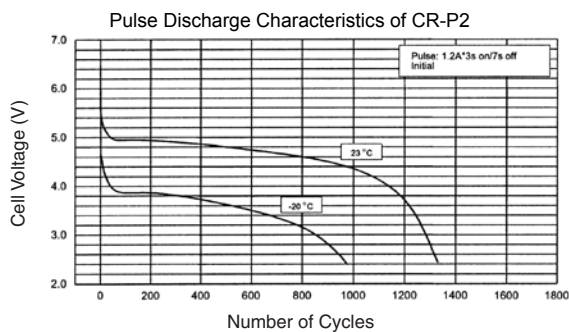
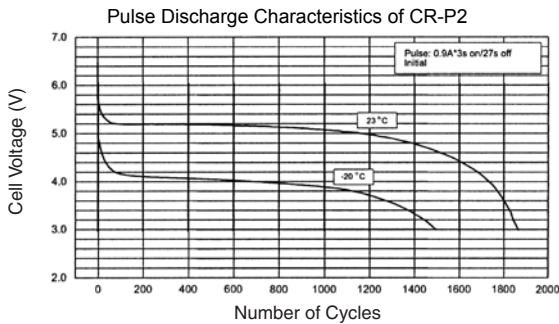
- GP Lithium Battery
- 6 Volts

**APPLICATIONS BEST FOR:**

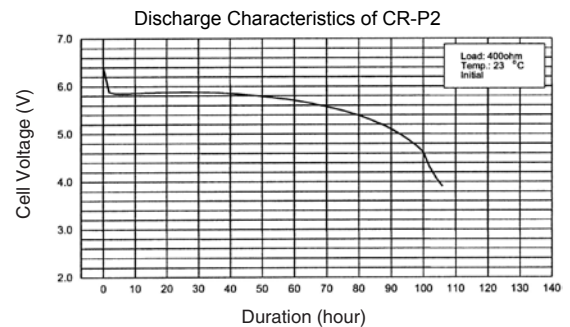


**Other Details:**

- Lithium Manganese Dioxide chemistry
- Average weight: 37g



Unit : mm



Model No.: **GPCR-P2**