

# 200W SOLAR CHARGING SYSTEM

## GENERAL

Model	RV-G200-2
Part Number	FLC-G0-182000-RV200
UPC Code	785249519291

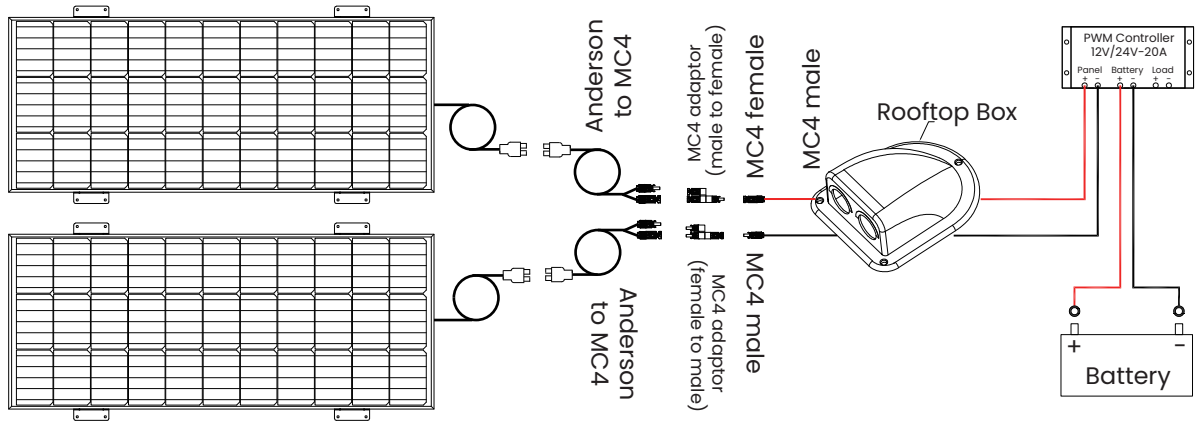
## ELECTRICAL SPECIFICATIONS

Rated Peak Power (Pmax   W)	200 W (2x100 W)
Open Circuit Voltage (Voc   V)	21.4 V
Short Circuit Current (Isc   A)	11.6 A
Maximum Power Voltage (Vmp   V)	18.0 V
Maximum Power Current (Imp   A)	11.0 A
Module Efficiency (%)	>19%
Power Tolerance	±5%
Operating Temperature (°F/°C)	-40°F to 185°F (-40°C to 85°C)
Application Level	Class A
Temperature Coefficient (Pmax)	-0.45%/K
Temperature Coefficient (Voc)	-0.32%/K
Temperature Coefficient (Isc)	+0.02%/K
Standard Test Conditions	1000W/m2, 25°C, AM1.5
Maximum System Voltage	600 VDC

## MECHANICAL SPECIFICATIONS

Solar Cell Type	Monocrystalline
Dimensions (LxWxD)	47.8 x 19.6 x 1.2 in (1213 x 499 x 30 mm) - Single Panel x 2
Product Weight	14.8 lbs (6.7 kg) - Single Panel x 2
Output Port:	Anderson
Charge Controller	PWM-12V/24V-20A

## SCHEMATIC DIAGRAM OF SOLAR PANEL CONNECTION

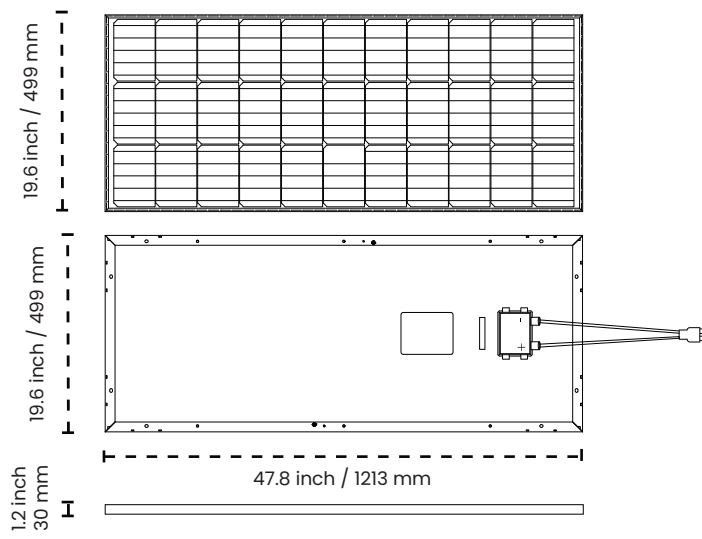


## ACCESSORIES

Rooftop Box	8x Z-Bracket Mount Kit	PWM Controller 12V/24V-20A
Anderson to MC4	Bare cable with ring connector	

## WARRANTY

2-year limited warranty, register at [flexsolarenergy.com](http://flexsolarenergy.com)



Note: Some accessories are not included in the package, you need to purchase them separately.