



TROJAN[®]
BATTERY COMPANY

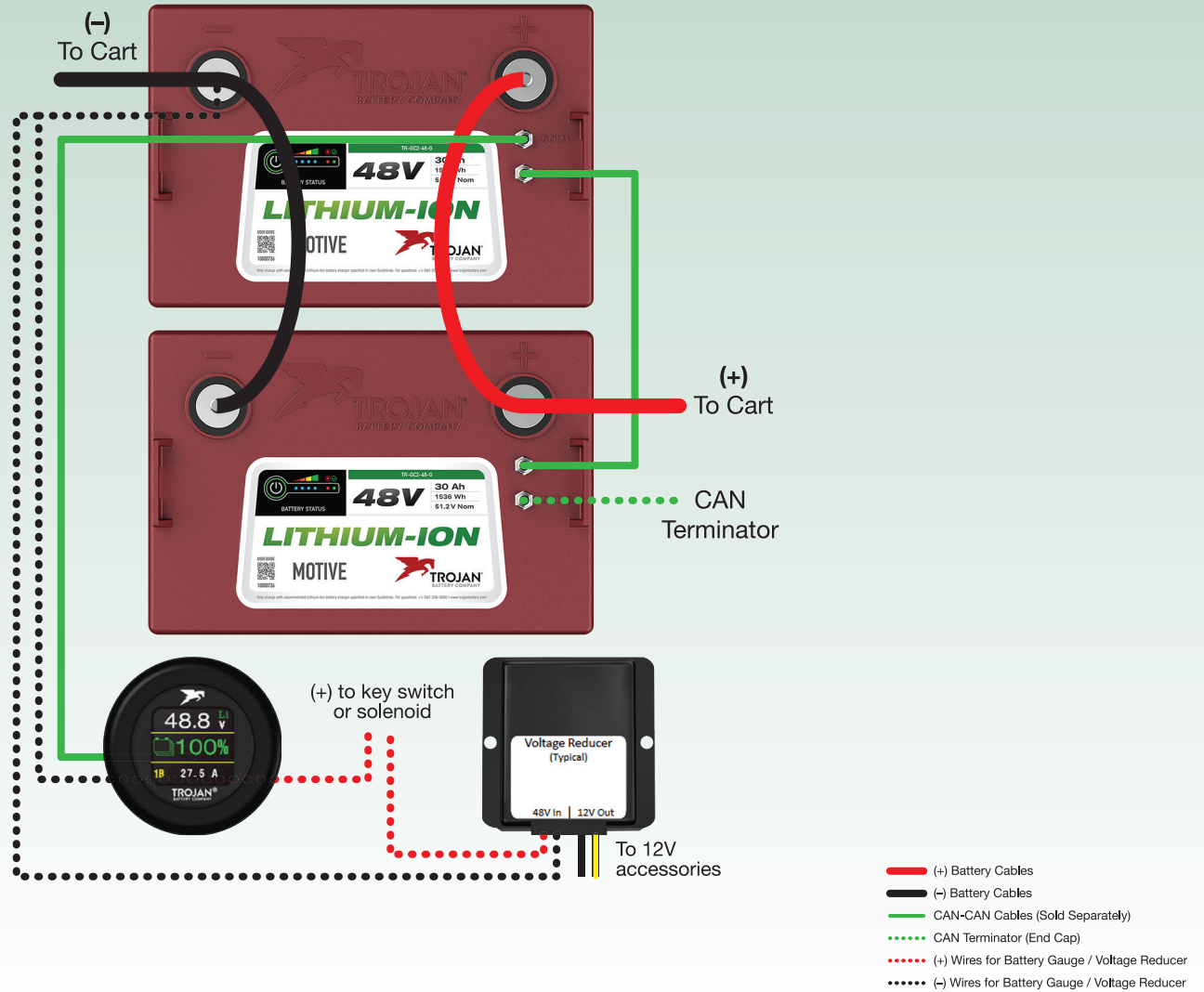
WIRING DIAGRAMS

FOR GC2 LITHIUM-ION BATTERIES



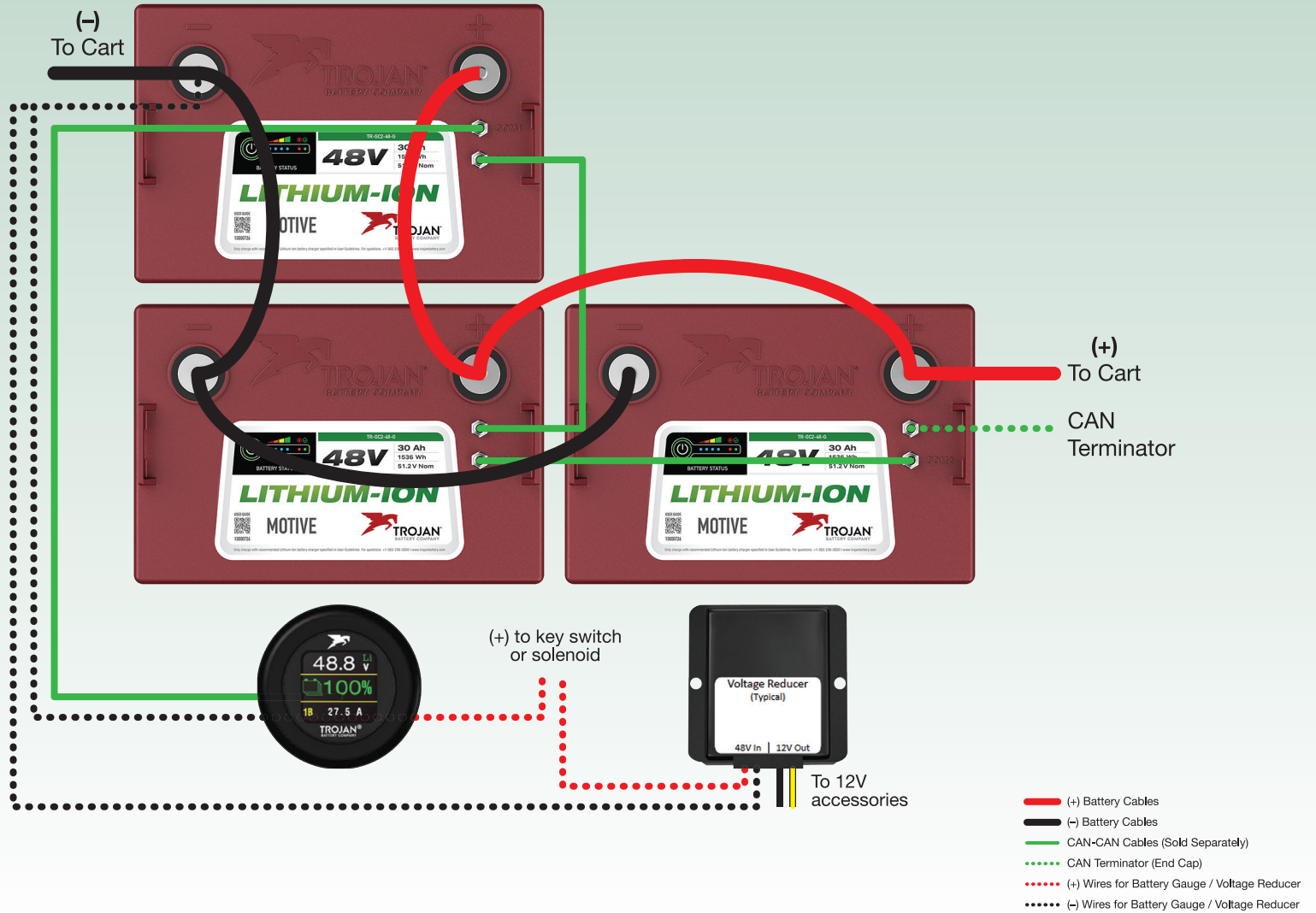
2 BATTERIES

WITH VOLTAGE REDUCER



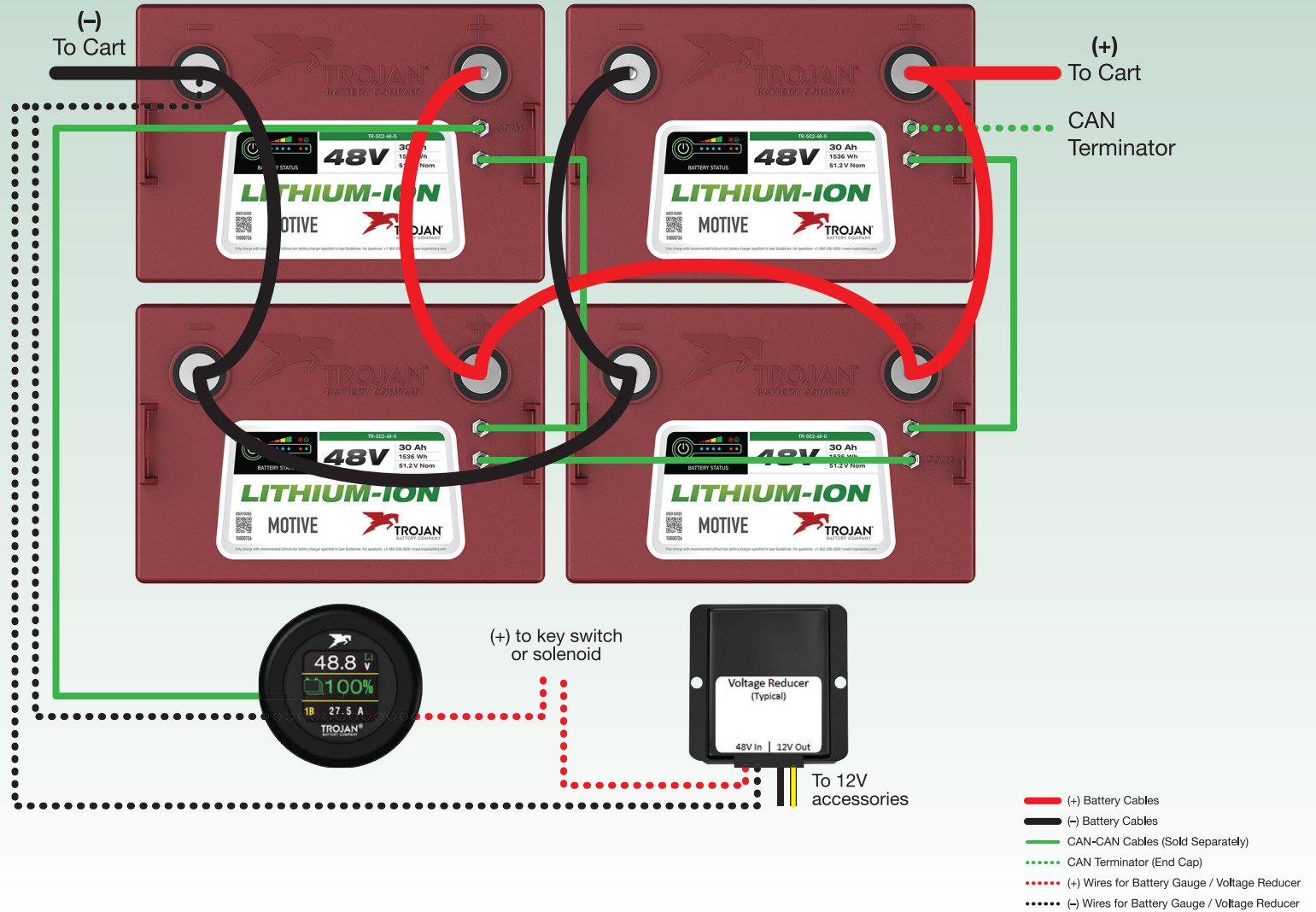
3 BATTERIES

WITH VOLTAGE REDUCER



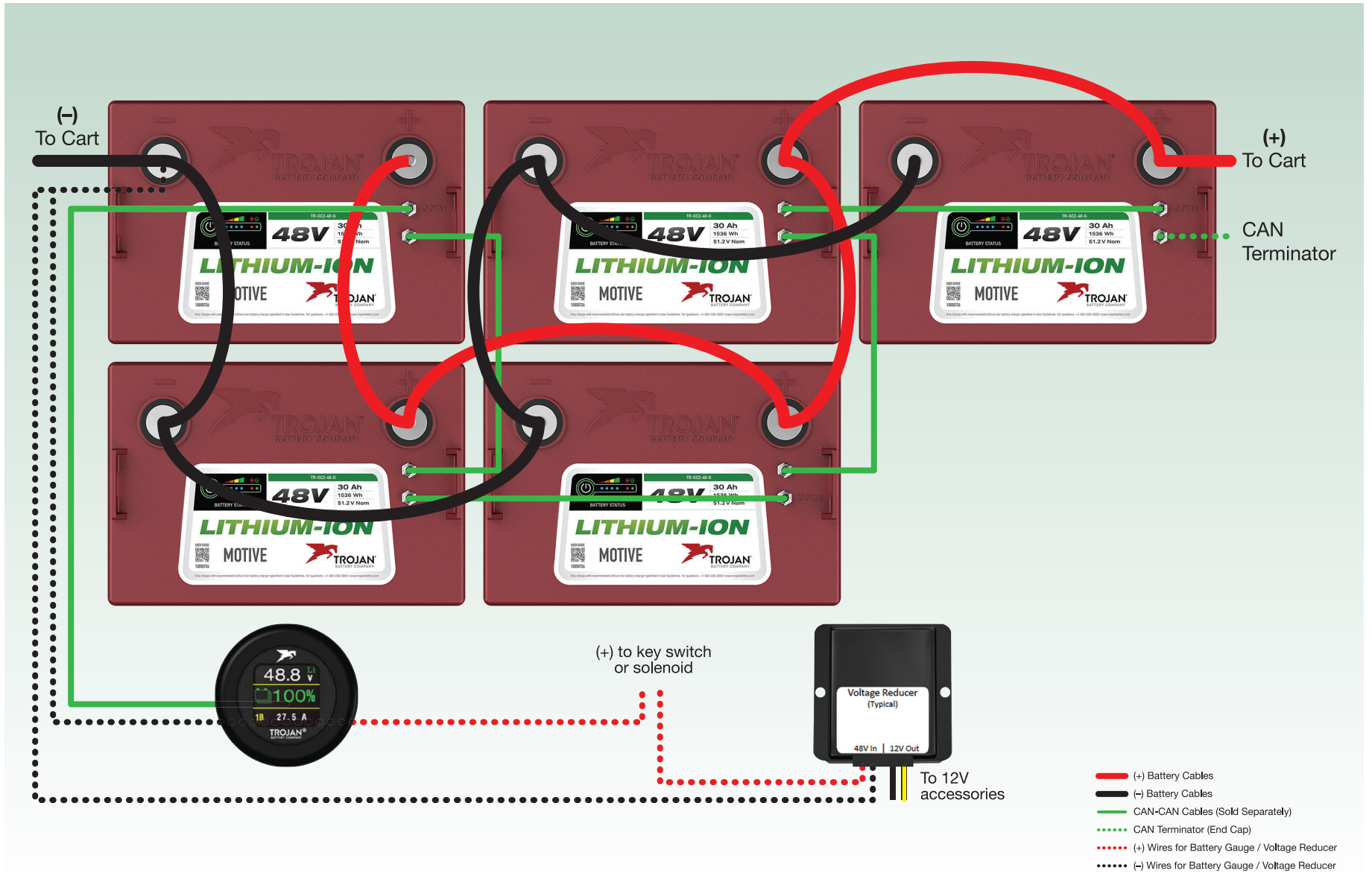
4 BATTERIES

WITH VOLTAGE REDUCER



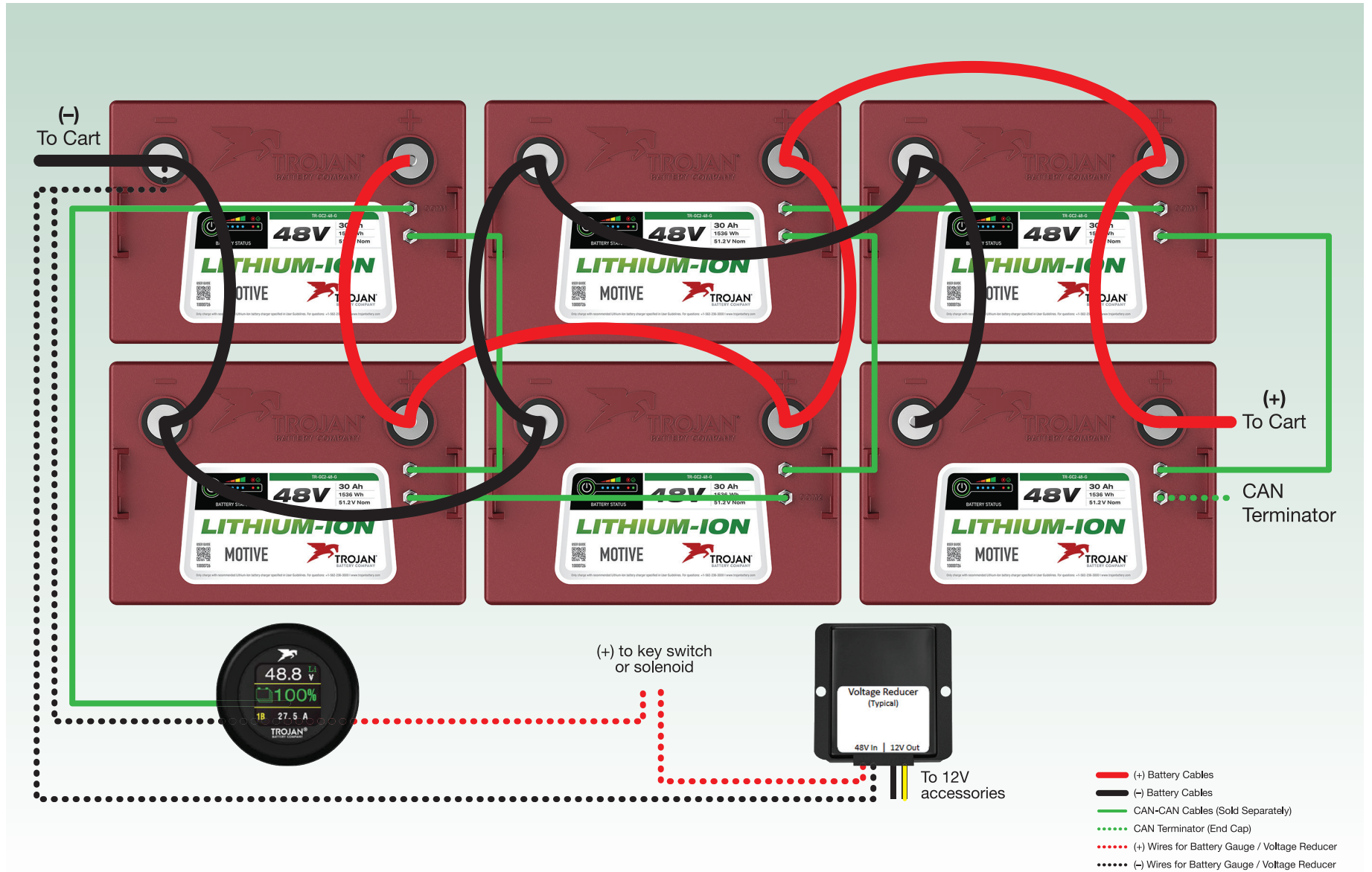
5 BATTERIES

WITH VOLTAGE REDUCER



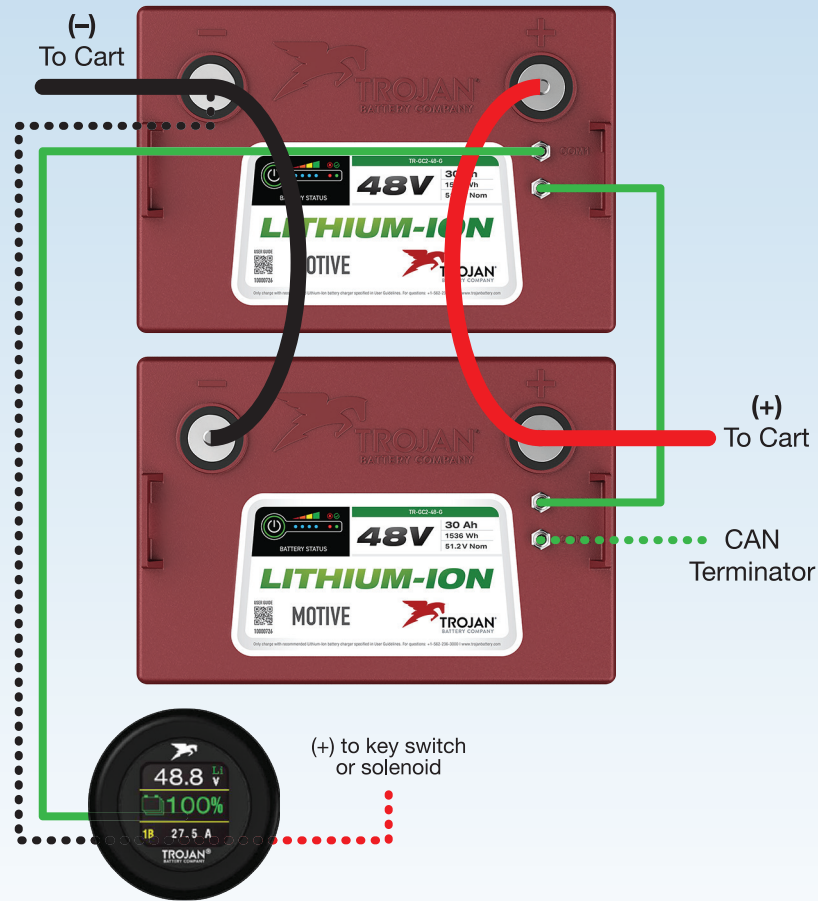
6 BATTERIES

WITH VOLTAGE REDUCER



2 BATTERIES

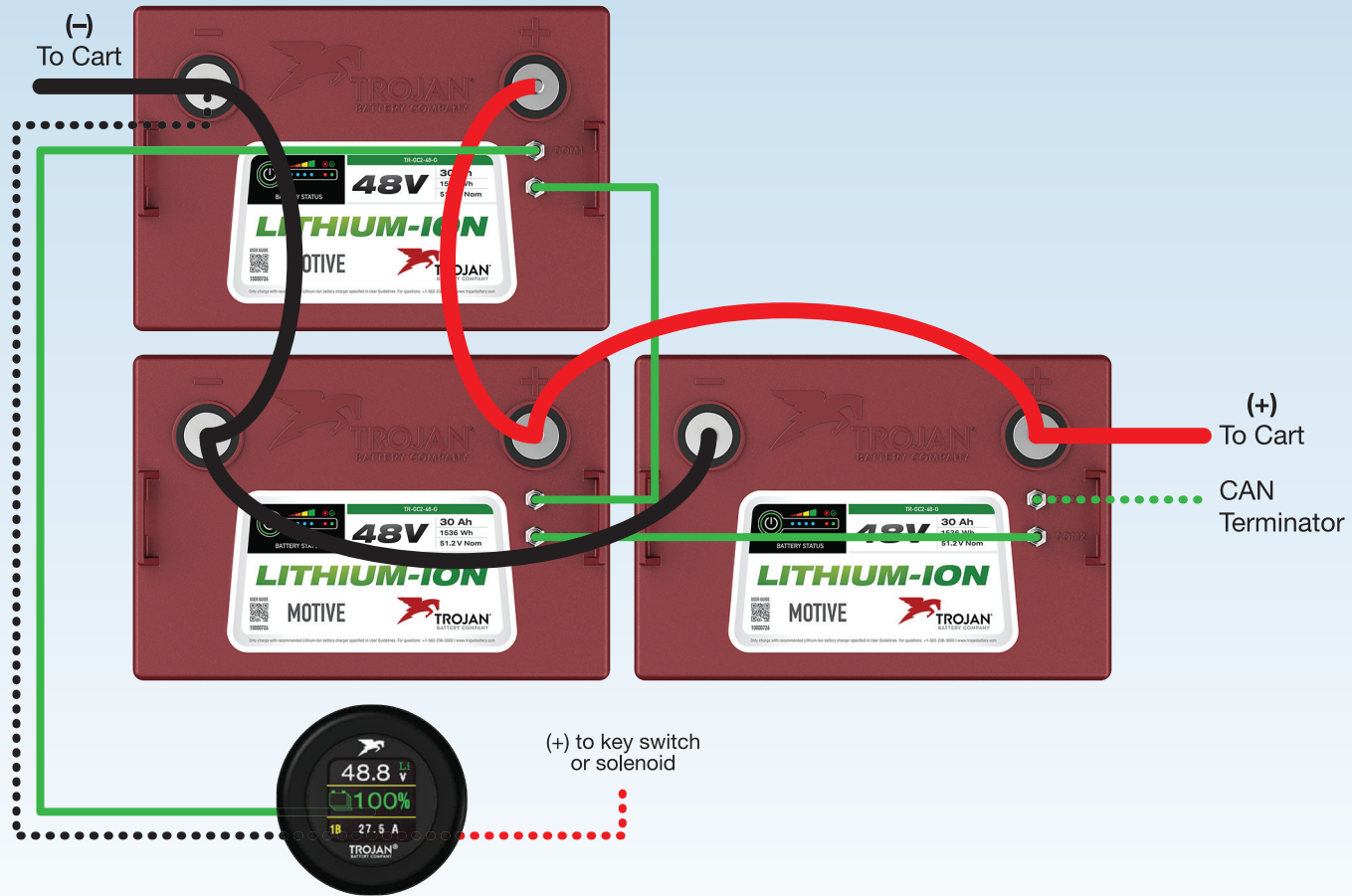
WITHOUT VOLTAGE REDUCER



- (+) Battery Cables
- (-) Battery Cables
- CAN-CAN Cables (Sold Separately)
- CAN Terminator (End Cap)
- (+) Wires for Battery Gauge / Voltage Reducer
- (-) Wires for Battery Gauge / Voltage Reducer

3 BATTERIES

WITHOUT VOLTAGE REDUCER

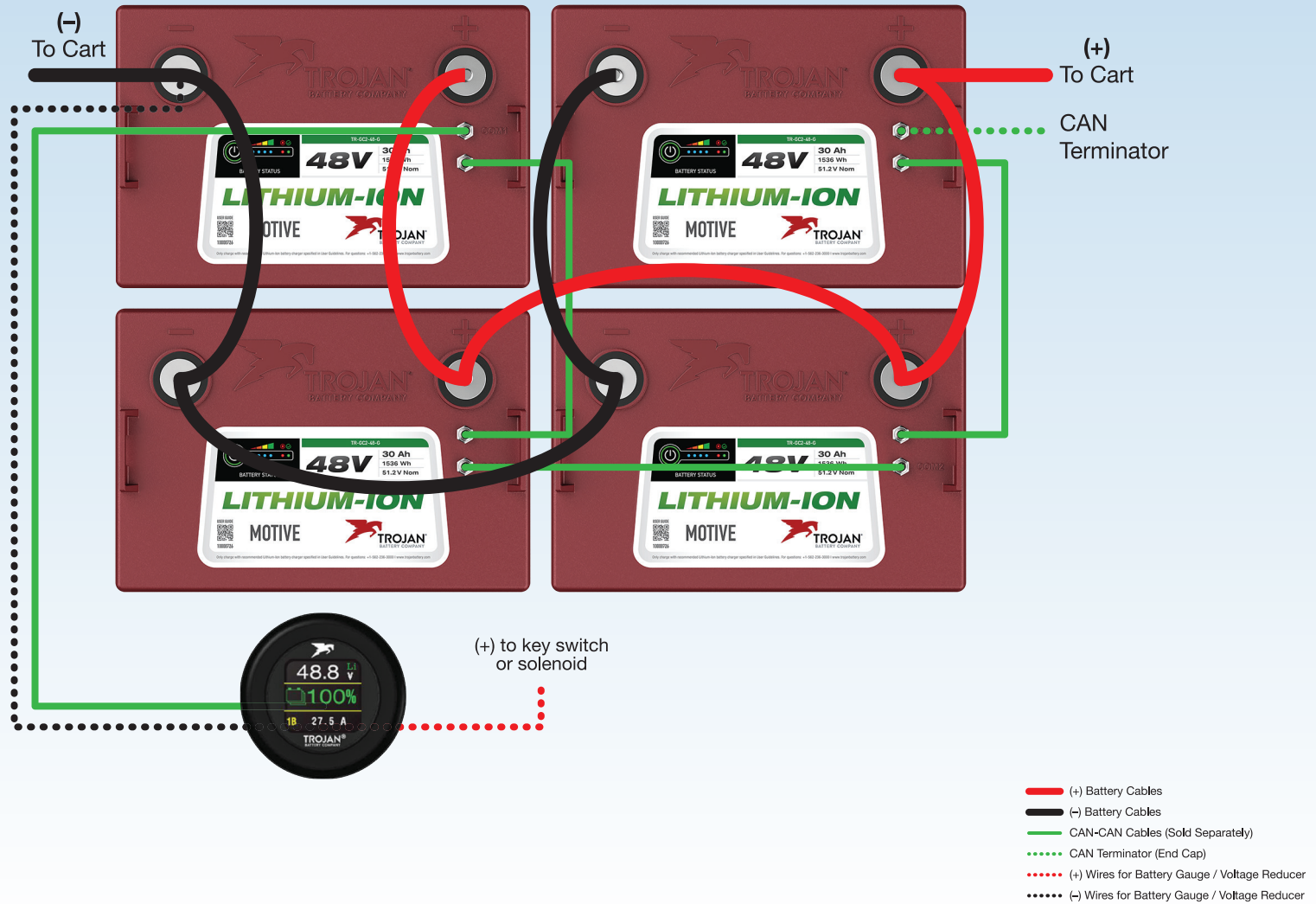


- (+) Battery Cables
- (-) Battery Cables
- CAN-CAN Cables (Sold Separately)
- ... CAN Terminator (End Cap)
- ... (+) Wires for Battery Gauge / Voltage Reducer
- ... (-) Wires for Battery Gauge / Voltage Reducer



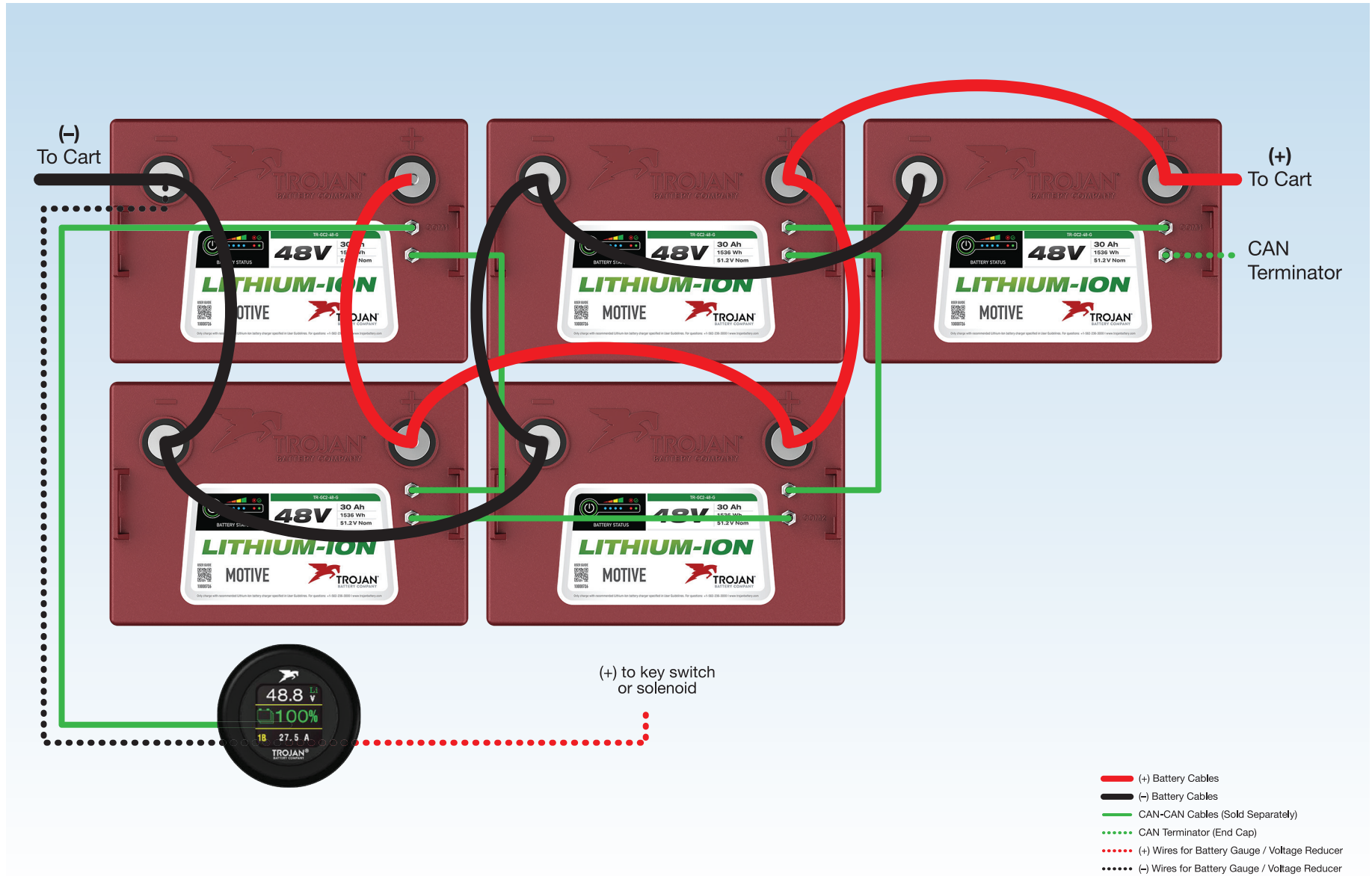
4 BATTERIES

WITHOUT VOLTAGE REDUCER



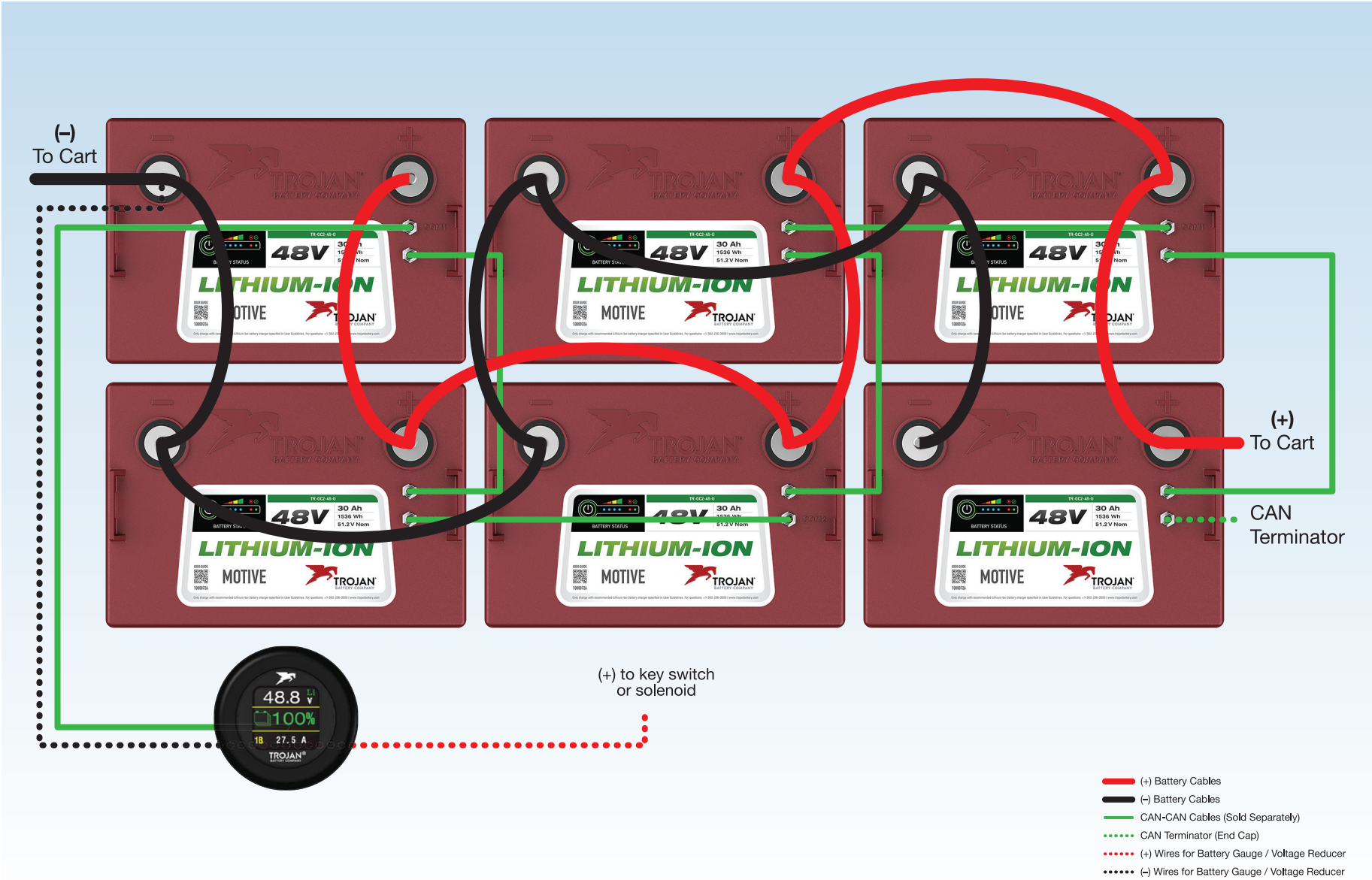
5 BATTERIES

WITHOUT VOLTAGE REDUCER



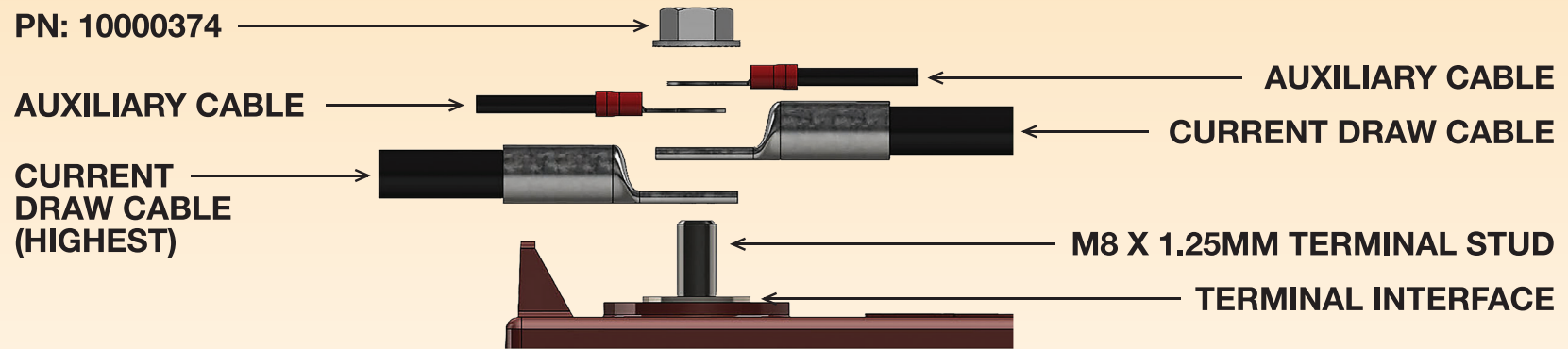
6 BATTERIES

WITHOUT VOLTAGE REDUCER



SEQUENCING

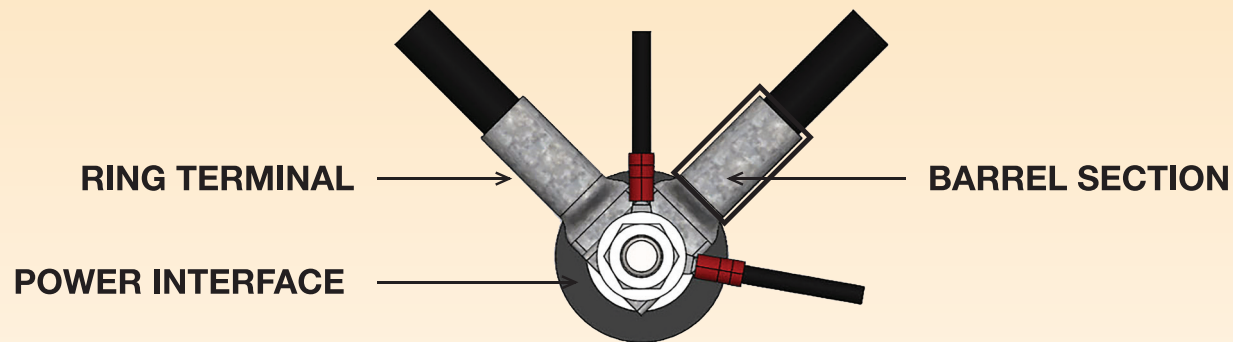
CABLES



RING TERMINALS ARE TO BE STACKED LARGEST TO SMALLEST. AUXILIARY CABLE CONNECTIONS ARE TO BE STACKED LAST. CONNECTIONS THAT ARE HIGH CURRENT CARRYING CIRCUITS SHOULD BE IN CONTACT WITH THE TERMINAL FACE. INSTALLATION TORQUE OF THE PROVIDED M8 X 1.25MM LOCKING NUT MUST BE BETWEEN 80-90 IN-LBS. A MINIMUM OF 2 THREADS SHOULD BE VISIBLE ABOVE THE TORQUED NUT FOR BEST ENGAGEMENT. THE TOP OF THE NUT SHOULD NEVER EXCEED THE TOP OF THE TERMINAL STUD. IF REQUIRED PLEASE CONTACT TROJAN TECHNICAL SUPPORT TO CONFIRM THE CONNECTION METHOD.

SEQUENCING

CABLES



RING TERMINALS ARE TO BE STACKED AT ANGLES THAT ALLOW FOR PROPER SEATING OF THE LUG CONNECTOR. ANGLE MAY VARY BASED ON COMPONENTS AND RING TERMINALS INSTALLED IN THE APPLICATION. IF STACKED IMPROPERLY THE BARREL SECTIONS OF THE RING TERMINAL CAN INTERFERE AND A HIGH RESISTANCE CONNECTION CAN OCCUR OR DEVELOP OVERTIME DUE TO LOOSE HARDWARE AND VIBRATION. SURFACE AREA OF THE RING TERMINAL SHOULD BE MAXIMIZED FOR ELECTRICAL PERFORMANCE AND MECHANICAL CONNECTION. THE M8 X 1.25MM TERMINAL STUD WHILE CONDUCTIVE IS NOT THE MAIN CURRENT INTERFACE AND ALL CURRENT CARRYING RING TERMINALS SHOULD SIT FLAT ON THE TERMINAL FACE.



RELEASE THE BEAST.



LITHIUM CHARGER COMPATIBILITY GUIDE
Scan the QR code to access the up-to-date guide.



LITHIUM INSTALLATION VIDEOS
Visit Trojan Battery's YouTube page or TrojanEx for lithium-ion installation videos.

